

# ARCTIS 3

PRODUCT INFORMATION GUIDE



# CONTENTS

Welcome	2
Product overview	3-4
Setup	5
Microphone	6
Headband Installation	7
Regulatory	9

find help at [support.steelseries.com](https://support.steelseries.com)

## PACKAGE CONTENTS

Headset

Main Cable (1.2m)

## SYSTEM COMPATIBILITY

PC / MAC / MOBILE /

PS4 / XBOX ONE / VR

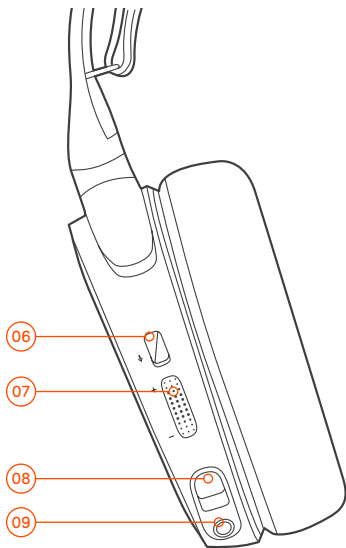
# PRODUCT OVERVIEW

find help at [support.steelseries.com](https://support.steelseries.com)



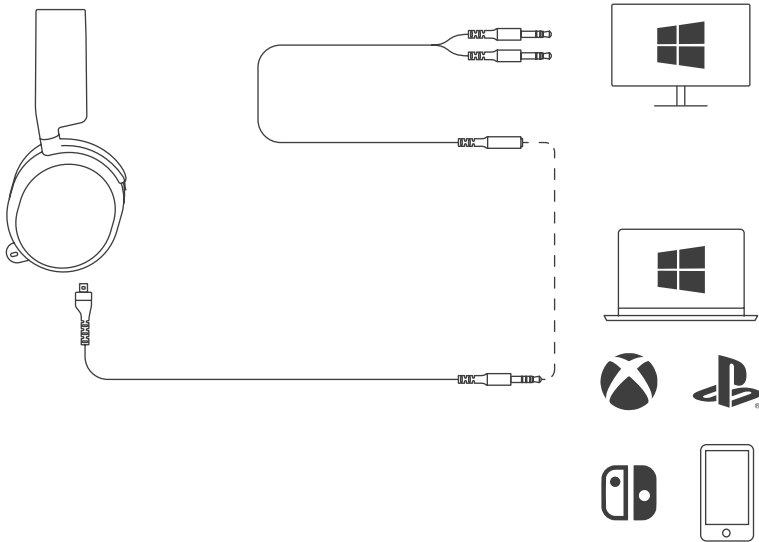
\*selected accessories available at [steelseries.com](https://steelseries.com)

- 01 Ski Goggle Headband \*
- 02 Main Headset Cable (1,2 m) \*
- 03 Dual 3.5mm Extension Cable (1,8 m) \*
- 04 Airweave Ear Cushion \*
- 05 Retractable Microphone
- 06 Microphone Mute Button
- 07 Volume Control
- 08 Main Cable Jack
- 09 Headphone Share Jack



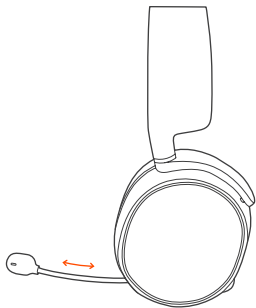
# SETUP

find help at [support.steelseries.com](https://support.steelseries.com)



# MICROPHONE

## Retractable microphone



## Positioning



top view

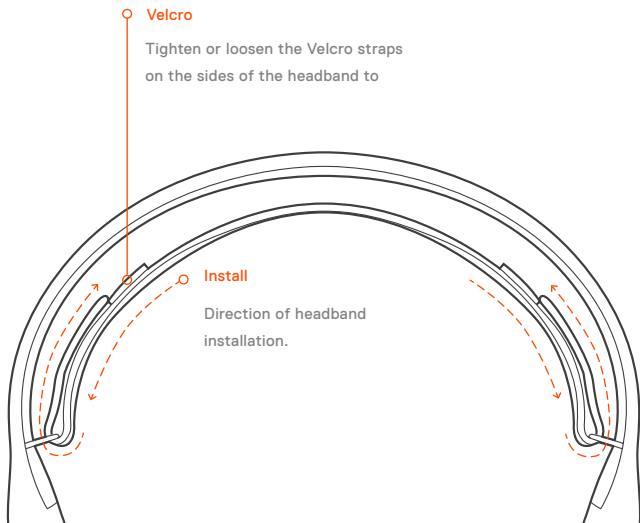


front view

Position the microphone close to the corner of your mouth with the flat surface facing you

## SKI GOGGLE HEADBAND

accessory headbands available at [steelseries.com](http://steelseries.com)









Class B Product: This device complies with Part 15 of the FCC Rules. Operation is subject to the following two conditions:

1. This device may not cause harmful interference.
2. This device must accept any interference received, including interference that may cause undesired operation.

Attention: Any modifications or changes made to this device that are not approved by Steelseries may void the authority granted to the user by the FCC to operate this equipment.

Note: This equipment has been tested and found to comply with the limits for a Class B digital device, pursuant to Part 15 of the FCC Rules. These limits are designed to provide reasonable protection against harmful interference in a residential installation. This equipment generates, uses and can radiate radio frequency energy and, if not installed and used in accordance with the instructions, may cause harmful interference to radio communications. However, there is no guarantee that interference will not occur in a particular installation. If this equipment does cause harmful interference to radio or television reception, which can be determined by turning the equipment off and on, the user is encouraged to try to correct the interference by one or more of the following measures:

- Reorient or relocate the receiving antenna.
- Increase the separation between the equipment and receiver.
- Connect the equipment into an outlet on a circuit different from that to which the receiver is connected.
- Consult the dealer or an experienced radio/television technician for help.



This product must not be disposed of with your other household waste. For more information about where you can drop off your waste equipment for recycling, please contact your local city office, your household waste disposal service or the shop where you purchased the product.

This product is compliant with requirements of Circular No. 30/2011/TT-BCT Regulations "STIPULATING TEMPORARILY THE PERMISSIBLE CONTENT LIMITATION OF SOME TOXIC CHEMICALS IN THE ELECTRONIC, ELECTRICAL PRODUCTS"

Türkiye Cumhuriyeti: EEE Yönetmeliğine Uygundur

Restriction on Hazardous Substances statement (India)

This product complies with the "India E-waste Rule 2011" and prohibits use of lead, mercury, hexavalent chromium, polybrominated biphenyls or polybrominated diphenyl ethers in concentrations exceeding 0.1 weight % and 0.01 weight % for cadmium, except for the exemptions set in Schedule 2 of the Rule.



クラス B VCCI の表示 があるワークステーションおよびオプション製品は、クラス B 情報技術装置です。これらの製品には、下記の項目が該当します。

この装置は、情報処理装置等電波障害自主規制協議会(VCCI)の基準に基づくクラス B 情報技術装置です。この装置、家庭環境で使用することを目的としていますが、この装置がラジオやテレビジョン受信機に近接して使用されると、受信障害を引き起こすことがあります。取扱説明書に従って正しい取り扱いをしてください。VCCI-B

《废弃电器电子产品回收处理管理条例》

为了更好地关爱及保护地球，当用户不再需要此产品或产品寿命终止时，请遵守国家废弃电器电子产品回收处理相关法律法规，将其交给当地具有国家認可的回收处理资质的厂商进行回收处理。

根据中国大陆《电子电气产品有害物质限制使用标识要求》，以下部分列出了产品中可能包含的有害物质的名称和含量：

零部件名称	有害物质					
	铅 (Pb)	汞 (Hg)	镉 (Cd)	六价铬 (Cr(VI))	多溴联苯 (PBB)	多溴二苯醚 (PBDE)
塑料	○	○	○	○	○	○
电路板组件	×	○	○	○	○	○
其他线材	×	○	○	○	○	○

\*: 电路板组件包括印刷电路板及其构成的零部件，如电阻、电容、集成电路、连接器等。

本表格依据SJ/T 11364的规定编制。

○: 表示该有害物质在该部件所有均质材料中的含量均在 GB/T 26572规定的限量要求以下。

×: 表示该有害物质至少在该部件的某一均质材料中的含量超出GB/T 26572规定的限量要求；

上表中打“×”的部件，应功能需要，部分有害物质含量超出GB/T 26572规定的限量要求，但是符合欧盟RoHS法规要求(属于豁免部分)。

Coarse Classifier,	Chemical Substance Table					
	Pb	Hg	Cd	Cr6+	PBBs	PBDEs
Plastic	○	○	○	○	○	○
PCBA	Exempted	○	○	○	○	○
Cable	Exempted	○	○	○	○	○

\*PCBA consisted of bare printed circuit board, soldering and its surface-mounted elements, such as resistors, capacitors, arrays, connectors, chips, etc.

NOTE1: The "O" indicates that the percentage content of the substance to be calculated is not exceeding the reference percentage content.

NOTE 2: The "Exempted" item means that the specified chemical substance corresponds to the items exempted by the standard of JIS C 0950.

This class B digital apparatus complies with Canadian ICES-003  
 Cet appareil numérique de la classe B est conforme à la norme NMB-003 du Canada



该电子电气产品含有某些有害物质，在环保使用期限内可以放心使用，  
 超过环保使用期限之后则应该进入回收循环系统。



이 기기는 가정용(8급) 전자파적합기기로서 주로 가정에서 사용하는 것을 목적으로 하며, 모든  
 지역에서 사용할 수 있습니다



Custom Union Compliance.  
(Russia / Belarus / Kazakhstan)



BSMI Compliance. (Taiwan)



FCC Compliance. (USA)



ACMA Compliance (Australia/ New-Zealand)



Direct Current



EMC Directives 2014/30/EU and Low  
Voltage Directives 2014/35/EU  
Compliance. (European Commission)



To prevent possible hearing damage,  
do not listen at high volume levels  
for long periods.



Regions	Coantact Information	
Asia	23511 新北市中和區建一路150號16樓	+886 2 8226 3858
USA	656 W Randolph St, Suite 3E Chicago, IL 60661, USA	+1 312 258 9467
Europe	Dirch Passers Allé 27, 5.Sal 2000 Frederiksberg, Denmark	+45 702 500 75

**Product Name(產品名稱/产品名称): Headset (耳機/耳机)**

**Model No. (型號/型号): HS-00010**

**Made in China 中國製造/中国制造**

**Environmental conditions for transport and storage:**

Temperature: -20 °C to +60 °C

Humidity: 0% to 90% RH

Altitude: 0 - 3000m



learn more at [steelseries.com](https://steelseries.com)