

SHOKZ

OPENRUN

WIRELESS BONE CONDUCTION HEADPHONES

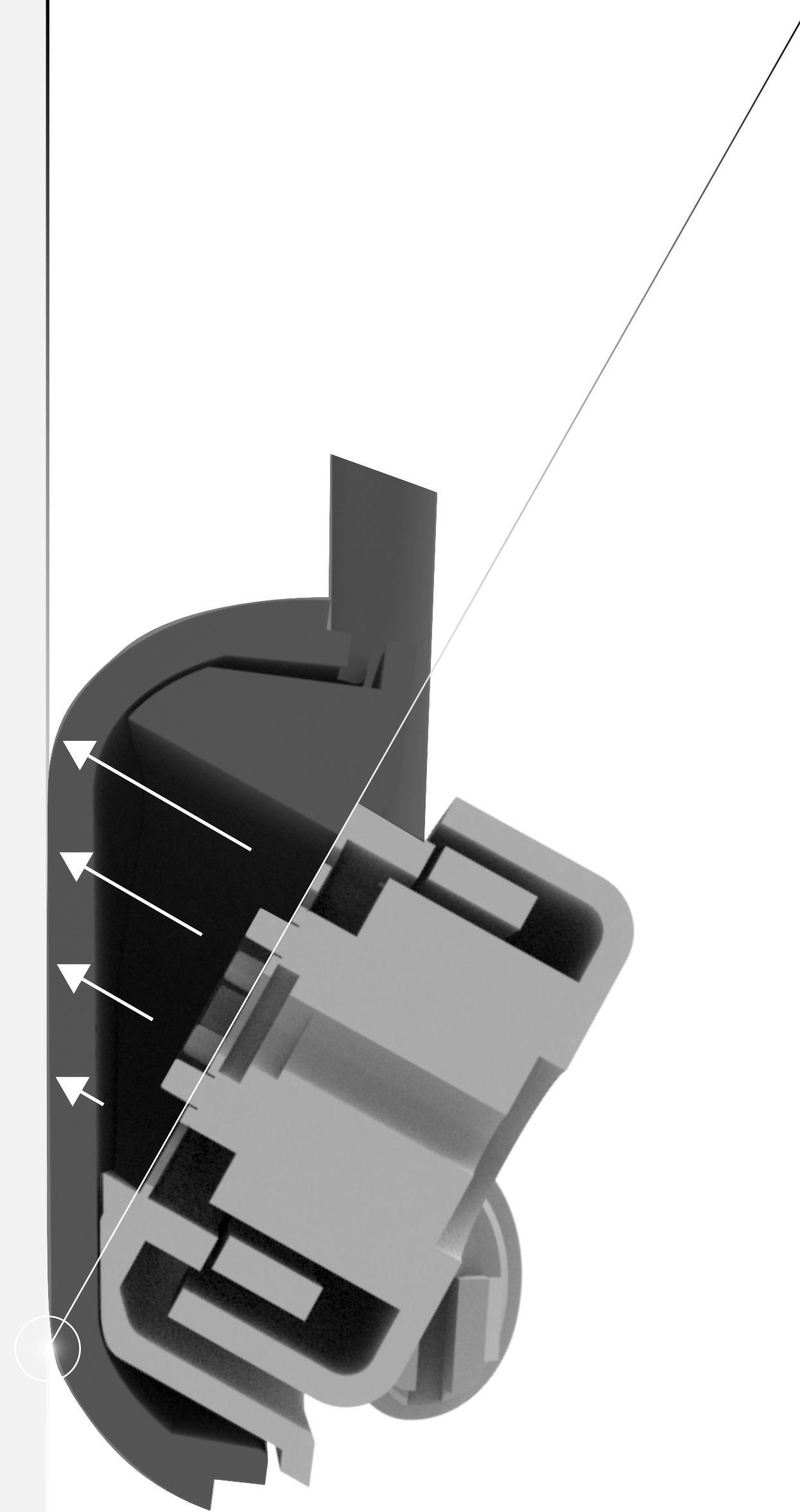


BONE CONDUCTION LEAP OF FAITH

The exceptional audio quality is unimaginable with the current bone conduction technology in the market.



FACE



MORE BASS LESS VIBRATION

Openrun vibration is 30 degree tilted against face, this allows more bass dynamic range and less vibration feelings.



EXCELLENT MID TO HIGH FREQUENCY RESPONSE

The vibration in human voice range and a little higher is purer with smooth frequency response curve that OpenRun is comparable or even excels traditional earbuds.

50% LEAKAGE REDUCTION

OpnRun removed the LeakSlayer holes on the Air and made the headphone water proof and aesthetically pleasing. It also reduced the leakage by 50% compared to Air.



30% SMALLER AND 13% LIGHTER

Powered PremiumPitch 2.0+, OpenRun is smaller and more powerful





IP67 WATERPROOF

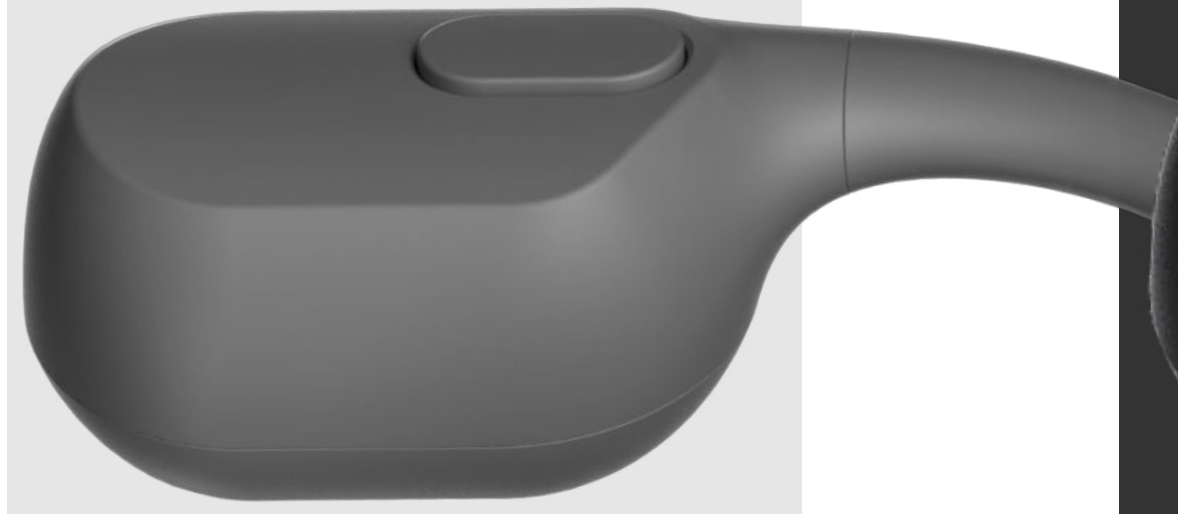
Submersible up to 1 meter deep for 0.5 hours.

Completely sweat proof with sweat alarm when charging the headphone.



8 HOURS OF MUSIC & CALLS

Grey



Black



Blue



Red



SHOKZ

SHOKZ

SHOKZ

SHOKZ



SPECS

Part number	S803	Wireless range	33 ft (10m)
Speaker type	Bone conduction transducer	Battery	Li-Polymer battery
Frequency response	20Hz~20KHz	Continuous play	Up to 8 hours
Sensitivity	105 ± 3dB	Standby time	Up to 10 days
Microphone	-38dB ± 3dB	Charge time	1.5 hours
Bluetooth® version	Bluetooth® v5.1	Weight	26 g
Compatible profiles	A2DP, AVRCP, HSP, HFP	Warranty	2 years
Charge voltage	5.0V±5%	Sweat resistance	IP67
Speaker impedance	8.5ohm±20%	Battery capacity	160 mAh
Frequency band	2400-2483.5MHz	Maximum RF output power	3dBm

SPECS



OPENRUN



OPENRUN PRO



Generation	The 8th gen. of Bone Conduction Technology	The 9th gen. of Bone Conduction Technology
Sound Quality	PremiumPitch 2.0+™ technology	Shokz TurboPitch™ technology for enhanced bass
Battery Life	8 hours	10 hours
Weight	26g	29g
Sweat/Water Resistance	IP67 Waterproof	IP55 Water-Resistant
Bluetooth	Bluetooth® v5.1	Bluetooth® v5.1
Charge	Magnetic Induction	Magnetic Induction
Titanium Band	Wraparound Titanium Frame	Wraparound Titanium Frame
Microphone	Dual noise canceling microphone	Dual noise canceling microphone