



# Single Arm Monitor Mount



**MODEL: MT- MSFA1332**

Installation  
Guide

# Welcome

Premium connectivity that fuels modern lifestyle and empowers innovation.

A better everyday experience through amazing products.

The installation guide will provide everything you need to know about using your new product.

All our products are produced and tested to stringent standards of performance and safety, and are pleased to provide a 2 Year Warranty with your purchase.

We hope you enjoy your purchase.

 **MONSTER**<sup>™</sup>  
Always Lead. Never Follow.<sup>™</sup>

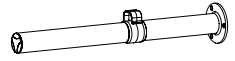
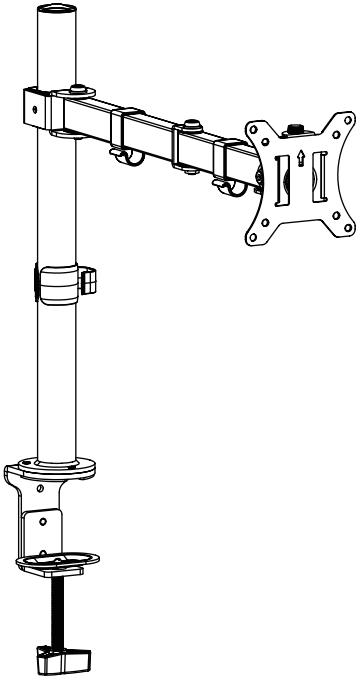
# General Safety Warnings

Read this guide thoroughly before installing the product to ensure your personal and other people's safety and to avoid any property loss.

If you do not understand these directions, or have any questions in relation to the safety of the installation, we recommend you contact a qualified professional. For all other general inquiries, please contact the after sales support line on 1300 886 649.

- Before installation, check carefully to ensure that there are no missing or defective parts. All parts are listed and illustrated on the installation guide.
- Never use defective parts. Our customer service representatives can quickly assist you with installation questions and replacement for missing or defective parts.
- Do not use this product for any purpose that is not explicitly specified in this guide.
- Improper installation may cause damage or serious injury.
- We assume no liability for any eventual damage or injury caused by incorrect mounting, incorrect assembly or incorrect use.
- This product is not intended for use by persons (including children) with reduced physical, sensory or mental capabilities, unless they have been given supervision or instruction by a person responsible for their safety.
- This is not a toy. Keep the product away from infants and children. Young children should be supervised to ensure they do not play with the product.
- **Only use this product in accordance with the technical specifications below:**
  - VESA support: 75 x 75, 100 x 100mm
  - Size of monitor: 32" max
  - Maximum load: 10kg

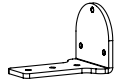
# Installation



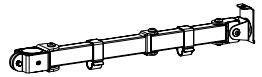
**A** x1



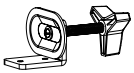
**B** x1



**C** x1



**D** x1



**E** x1



**F** x1



**G** M6 X 10  
x2



**H** M6 X 8  
x3



**I** M6 X 12  
x1



**J** x1



**K** M4 X 12  
x4



**L** M5 X 12  
x4



**M** M6 X 12  
x4



**N** D5  
x4

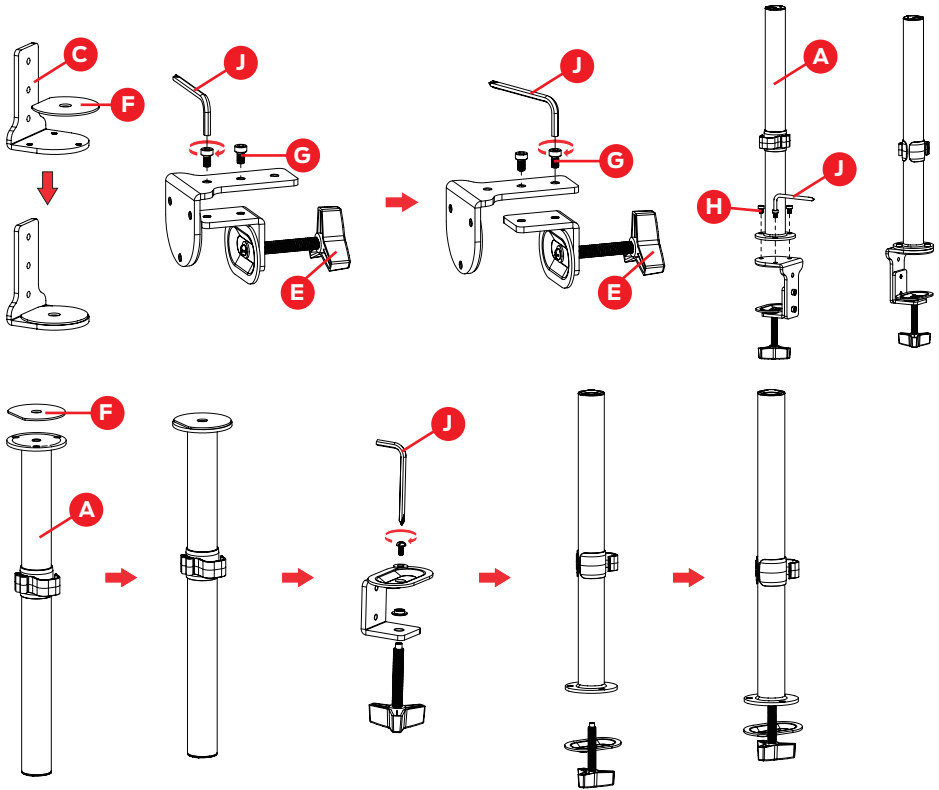


**O** D6  
x4

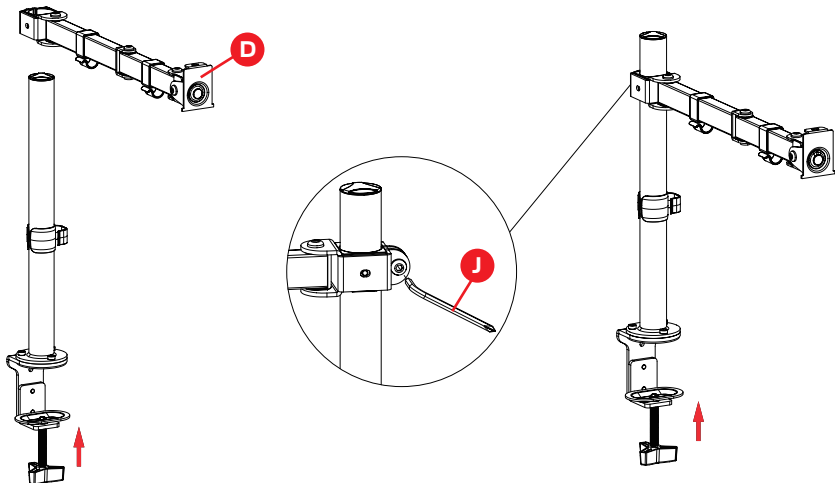
You will also need a Philips-head screwdriver to secure your monitor to the bracket.

Make sure you read and understand all instructions. Handle and use all materials strictly according to the instructions. If you do not understand these directions, or have any questions in relation to the safety of the installation, we recommend you contact a qualified professional.

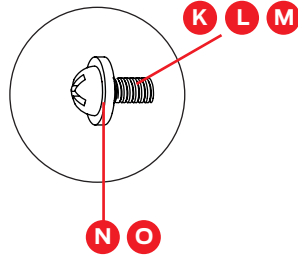
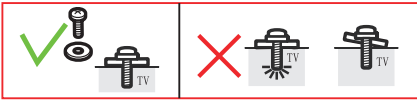
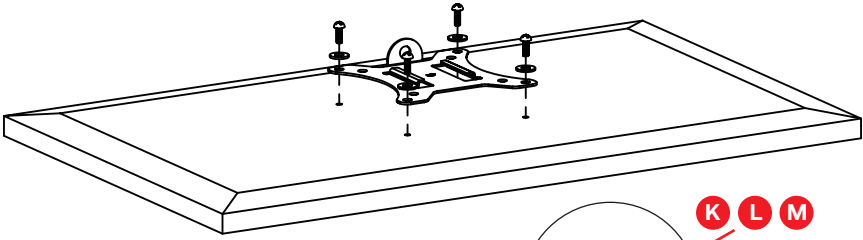
## 1. Parts Assembly



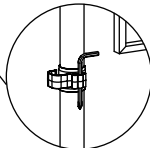
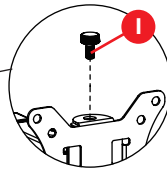
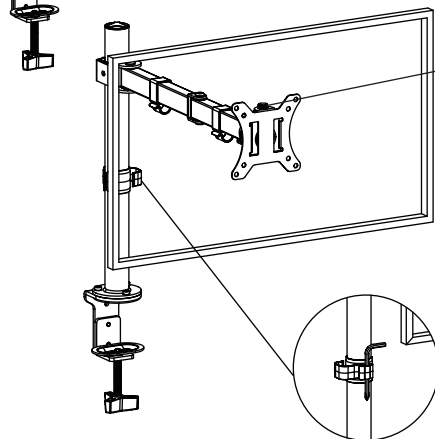
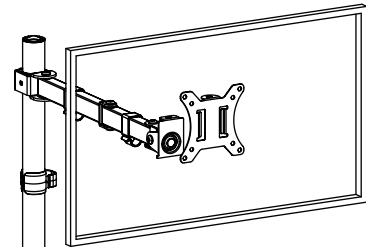
## 2. Attaching the Bracket



### 3. Mounting the Monitor to the Bracket



### 4. Securing the Monitor



# Specifications

VESA support	Max. 100 x 100mm
Maximum load	10kg
Size of monitor	32" max

## For Technical and Warranty Support

1300 886 649

[monster@tempo.org](mailto:monster@tempo.org)

[monsterproducts.com.au](http://monsterproducts.com.au)

Distributed by Tempo (Aust) Pty Ltd,

PO Box 132, Frenchs Forest NSW 1640

## Compliance and Responsible Disposal

### Packaging

The packaging of your product has been selected from environmentally friendly materials and can usually be recycled. Please ensure these are disposed of correctly. Plastic wrapping can be a suffocation hazard for babies and young children, please ensure all packaging materials are out of reach and are safely disposed of. Please recycle these materials rather than throwing them away.

### Product

At the end of its working life, do not throw this product out with your household rubbish. An environmentally friendly method of disposal will ensure that valuable raw materials can be recycled. Electrical and electronic items contain materials and substances which, if handled or disposed of incorrectly, could potentially be hazardous to the environment and human health.

# **MONSTER**™

Always Lead. Never Follow.™



**Please read the manual**  
It will help you get the best out of your product.

**Still have questions?**  
Call After Sales Support  
**1300 886 649**  
Or visit [tempo.org/support](http://tempo.org/support)



Please scan the QR code to access the latest manual.